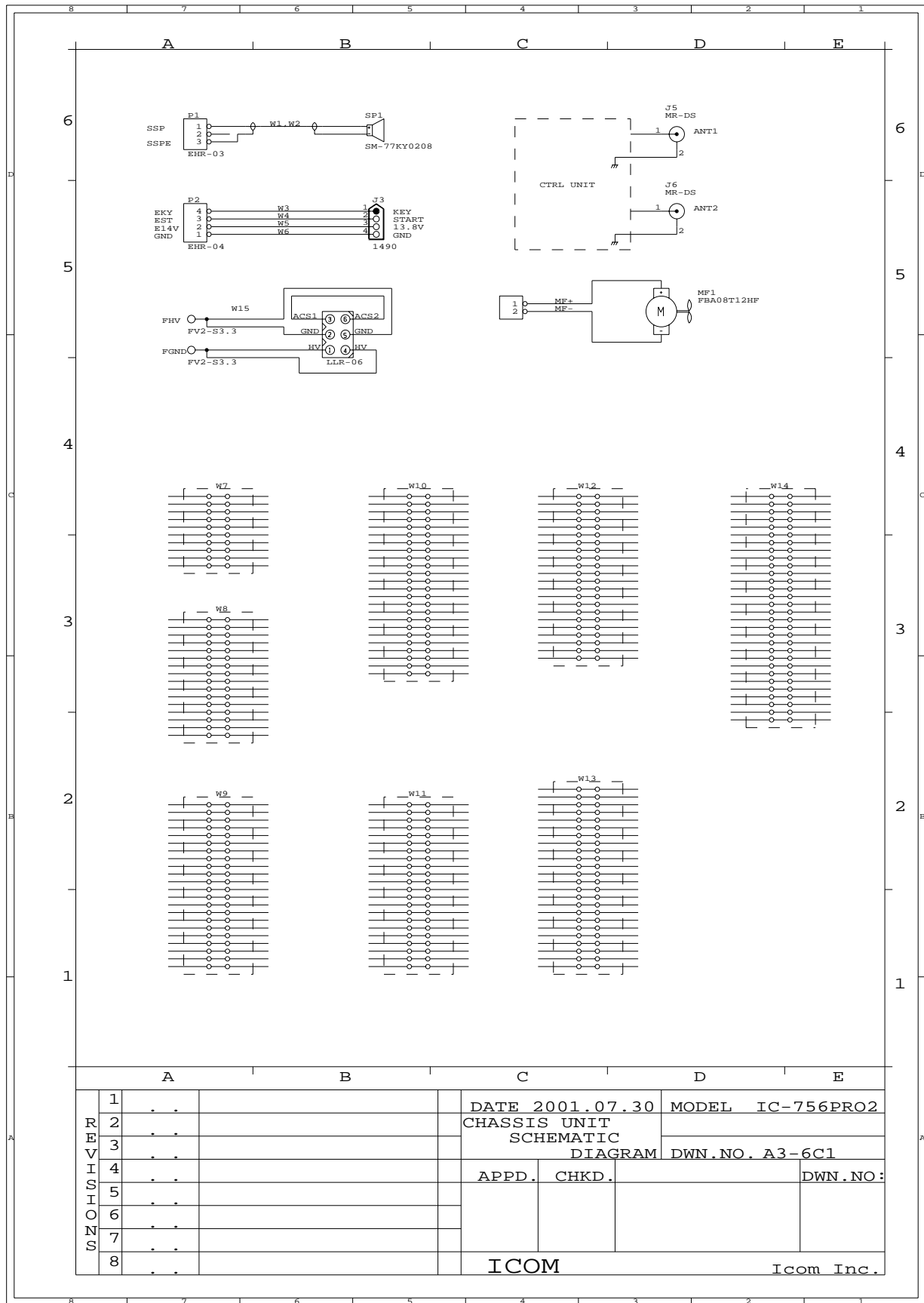
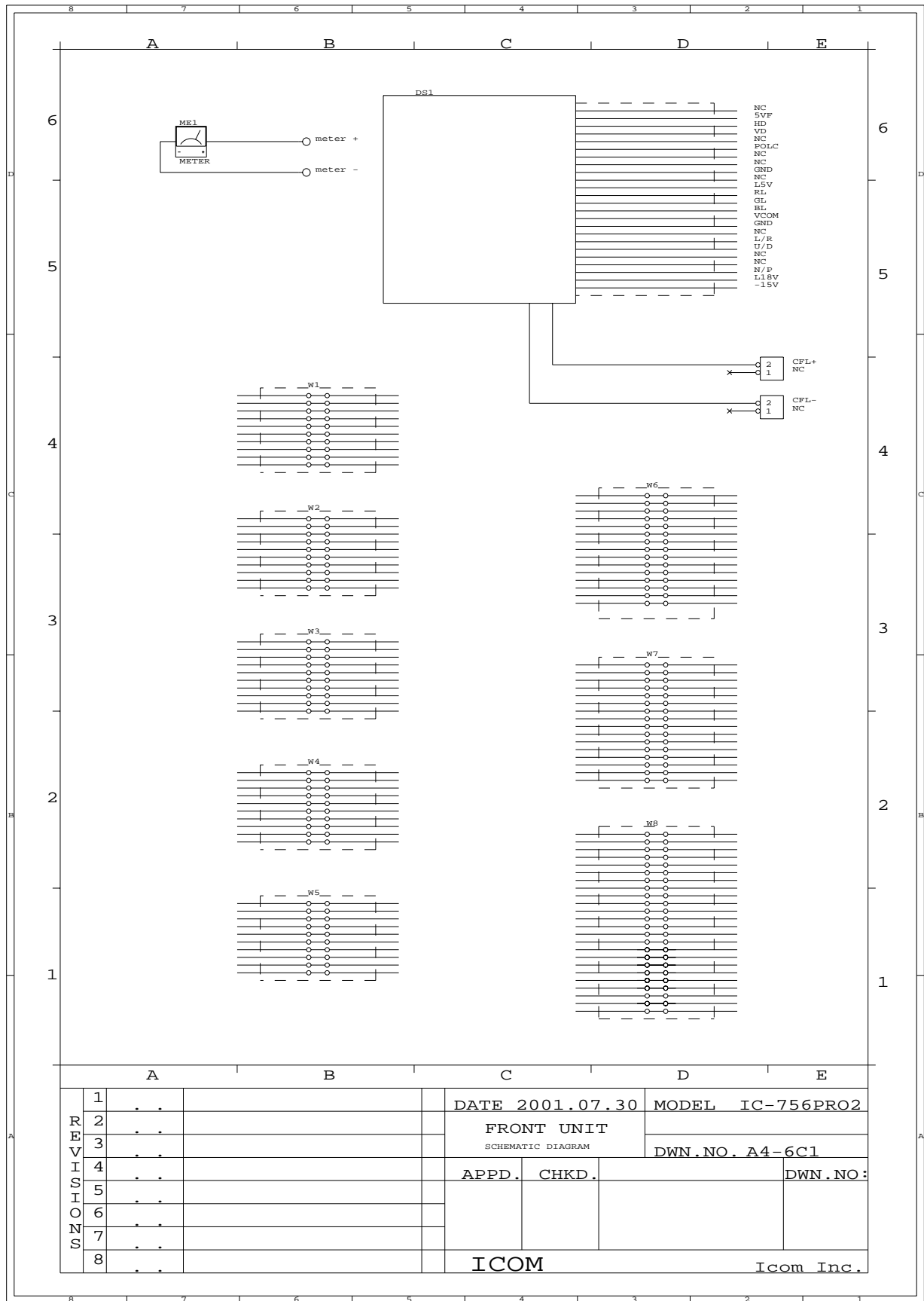


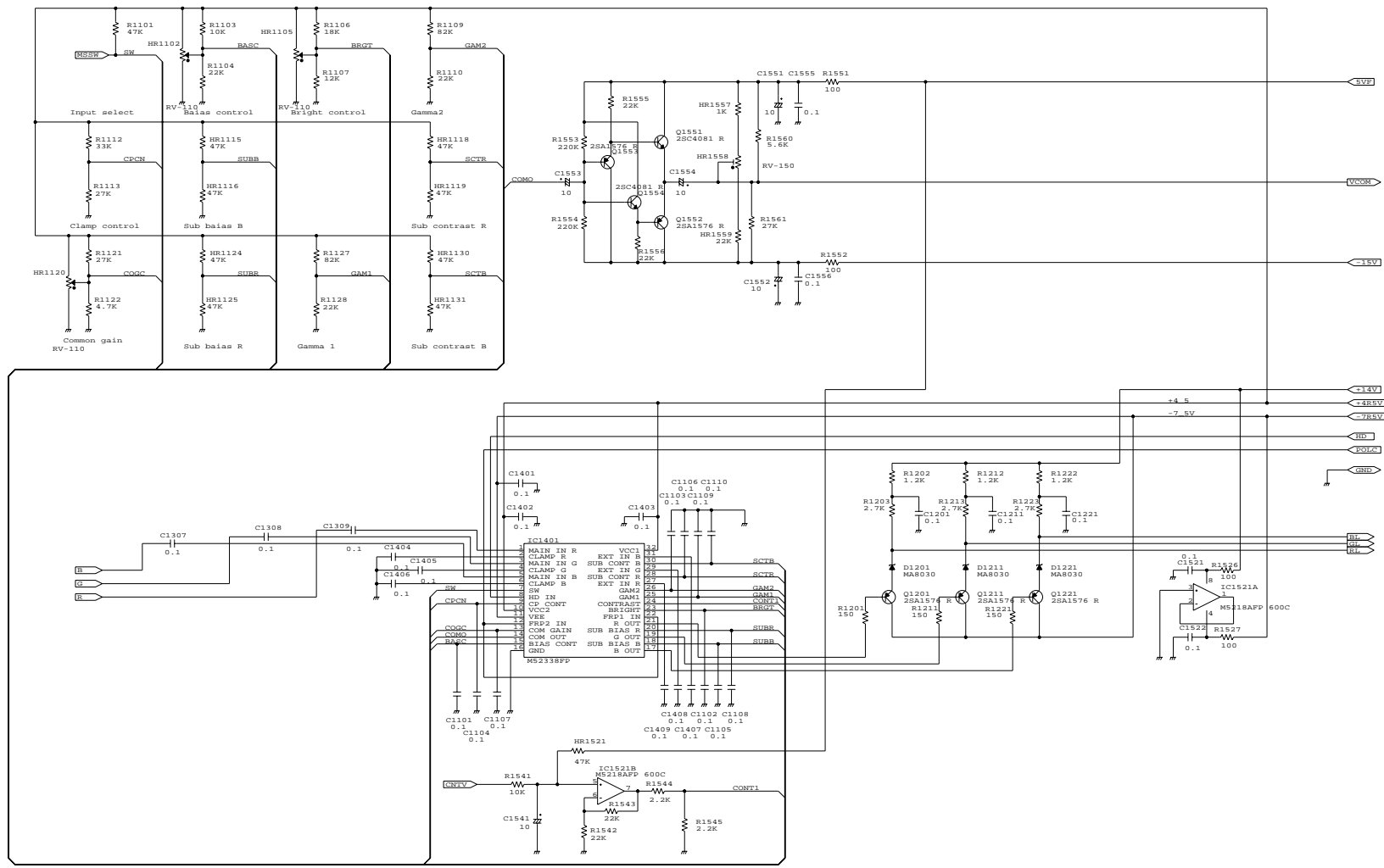
1	2	3	4	5	6	7	8	9	10	11	12	APPD.	CHKD.	DWN. BY	DATE	2001.06.22	MODEL	IC-756PRO2
GENERAL SCHEMATIC DIAGRAM																		
DWN. NO. -5C1																		
ICOM Icom Inc																		



		A	B	C	D	E
REVISIONS	1	.	.	DATE 2001.07.30		MODEL IC-756PRO2
	2	.	.	CHASSIS UNIT		
	3	.	.	SCHEMATIC		
	4	.	.	DIAGRAM		DWN.NO. A3-6C1
	5	.	.	APPD.	CHKD.	DWN.NO.:
	6	.	.			
	7	.	.			
	8	.	.			
				ICOM		Icom Inc.



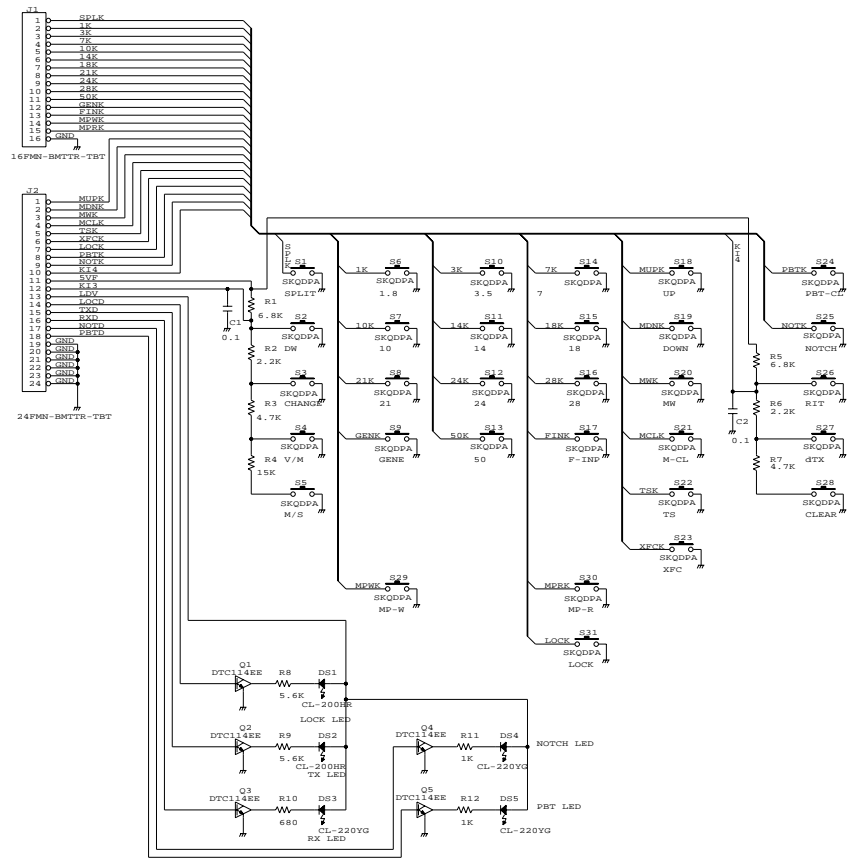
	A	B	C	D	E	
REVISIONS	1	.	.	DATE 2001.07.30	MODEL IC-756PRO2	
	2	.	.	FRONT UNIT SCHEMATIC DIAGRAM	DWN.NO. A4-6C1	
	3	.	.			
	4	.	.	APPD.	CHKD.	DWN.NO.:
	5	.	.			
	6	.	.			
	7	.	.			
	8	.	.	ICOM		Icom Inc.



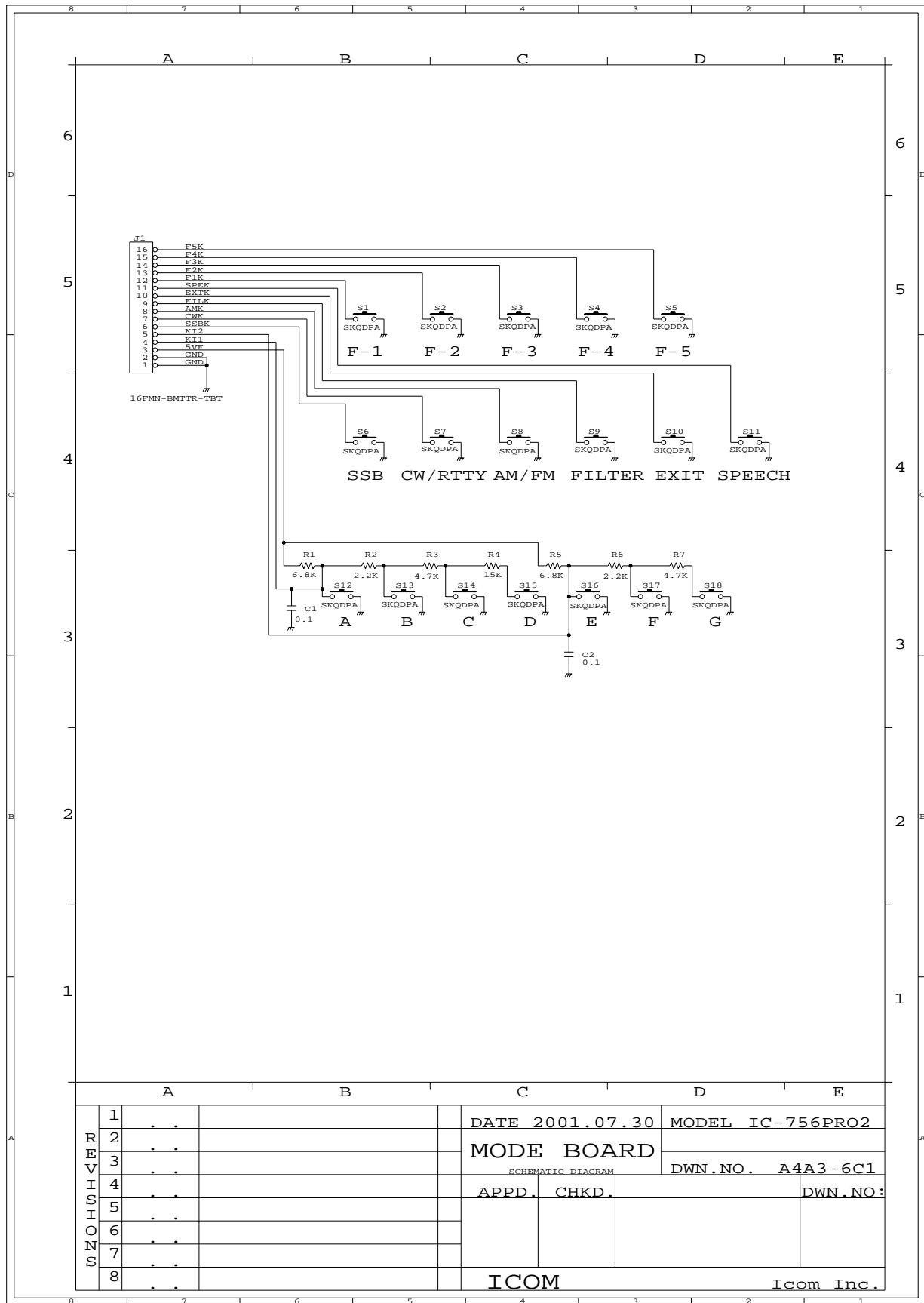
	A	B	C	D	E	F	G	H	I	J		
1	.	.		7	.	.	APPD.	CHKD.	DWN.BY: DATE	2001.07.30	MODEL	IC-756PRO2
2	.	.		8	.	.						
3	.	.		9	.	.						
4	.	.		10	.	.						
5	.	.		11	.	.						
6	.	.		12	.	.						
	ICOM										Icom Inc.	

DISPLAY BOARD
SCHEMATIC
DIAGRAM
(2)

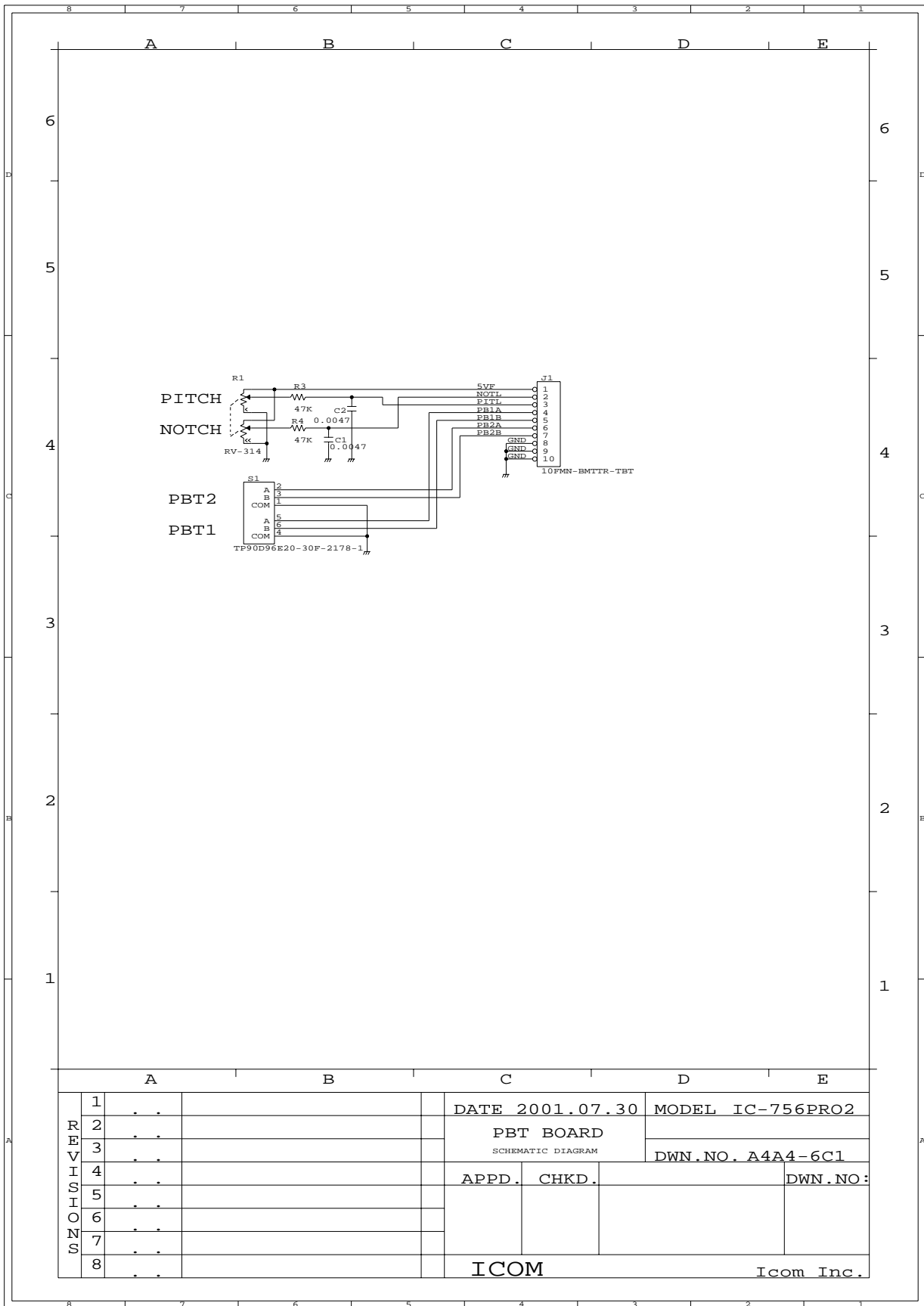
DWN.NO. A4A1-6C2



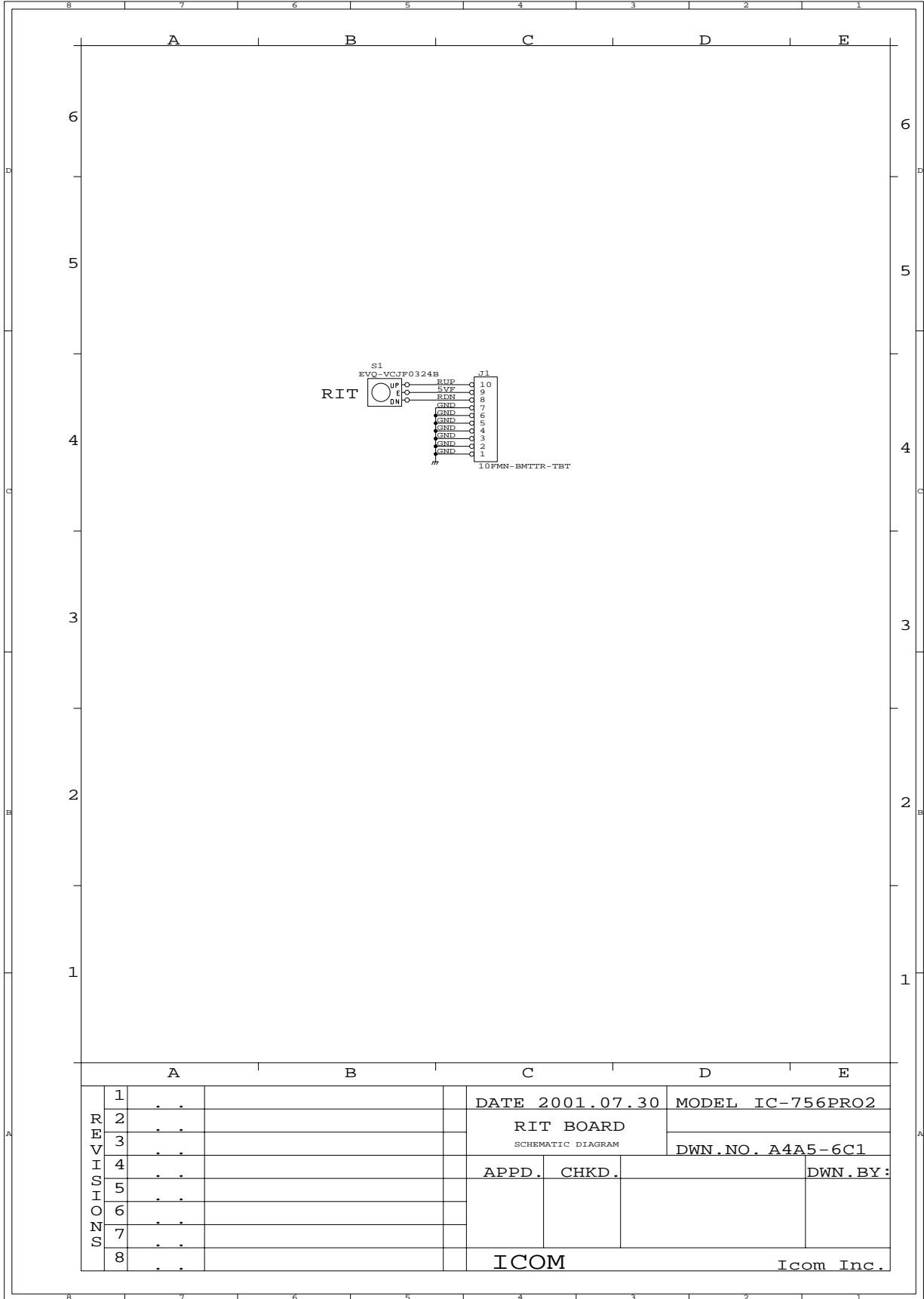
REV. HISTORY	1	.	.	7	.	.	APPD.	CHKD.	DWN.BY:	DATE	2001.07.30	MODEL	IC-756PRO2
	2	.	.	8	.	.							
	3	.	.	9	.	.					TEN-KEY BOARD		
	4	.	.	10	.	.					SCHEMATIC DIAGRAM		
	5	.	.	11	.	.						DWN.NO.	A4A2-6C1
	6	.	.	12	.	.	ICOM						Icom Inc.



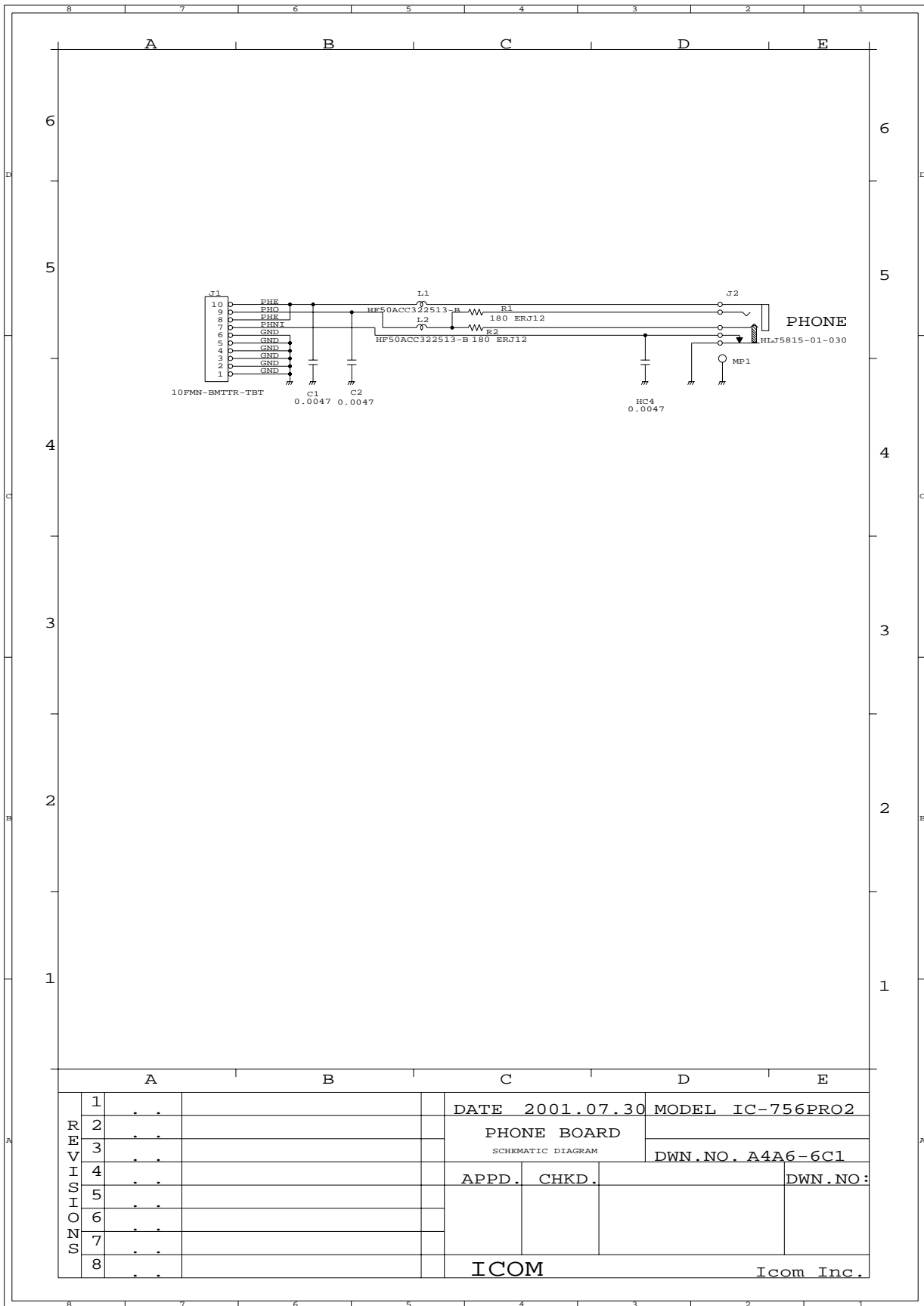
	A	B	C	D	E	
REVISIONS	1	.	.	DATE 2001.07.30	MODEL IC-756PRO2	
	2	.	.	MODE BOARD		
	3	.	.	SCHEMATIC DIAGRAM		
	4	.	.	DWN.NO. A4A3-6C1		
	5	.	.	APPD.	CHKD.	DWN.NO.:
	6	.	.			
	7	.	.			
	8	.	.	ICOM	Icom Inc.	



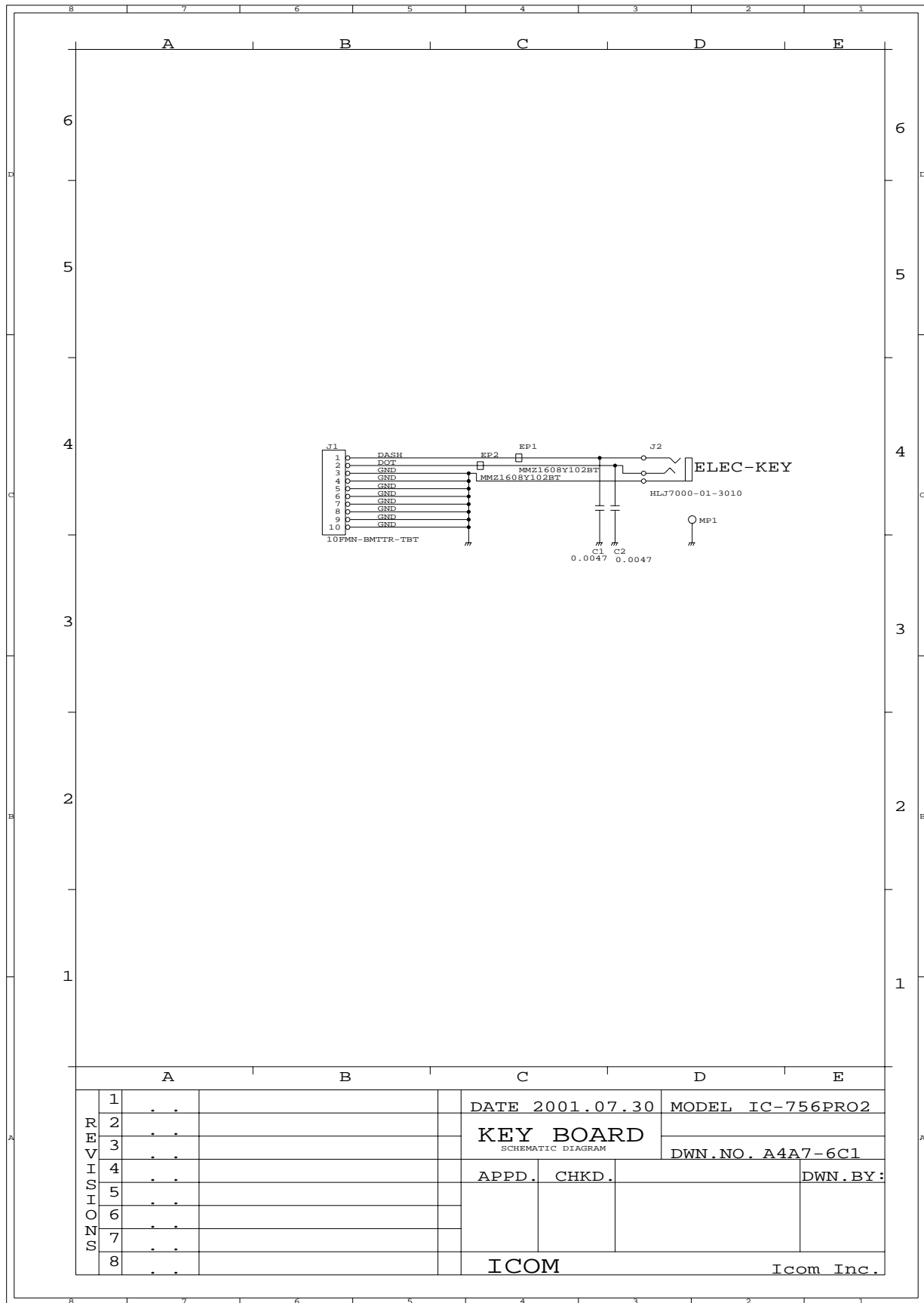
	A	B	C	D	E	
R E V I S I O N S	1	.	.	DATE 2001.07.30	MODEL IC-756PRO2	
	2	.	.	PBT BOARD SCHEMATIC DIAGRAM	DWN.NO. A4A4-6C1	
	3	.	.			
	4	.	.	APPD.	CHKD.	DWN.NO.:
	5	.	.			
	6	.	.			
	7	.	.			
	8	.	.	ICOM	Icom Inc.	



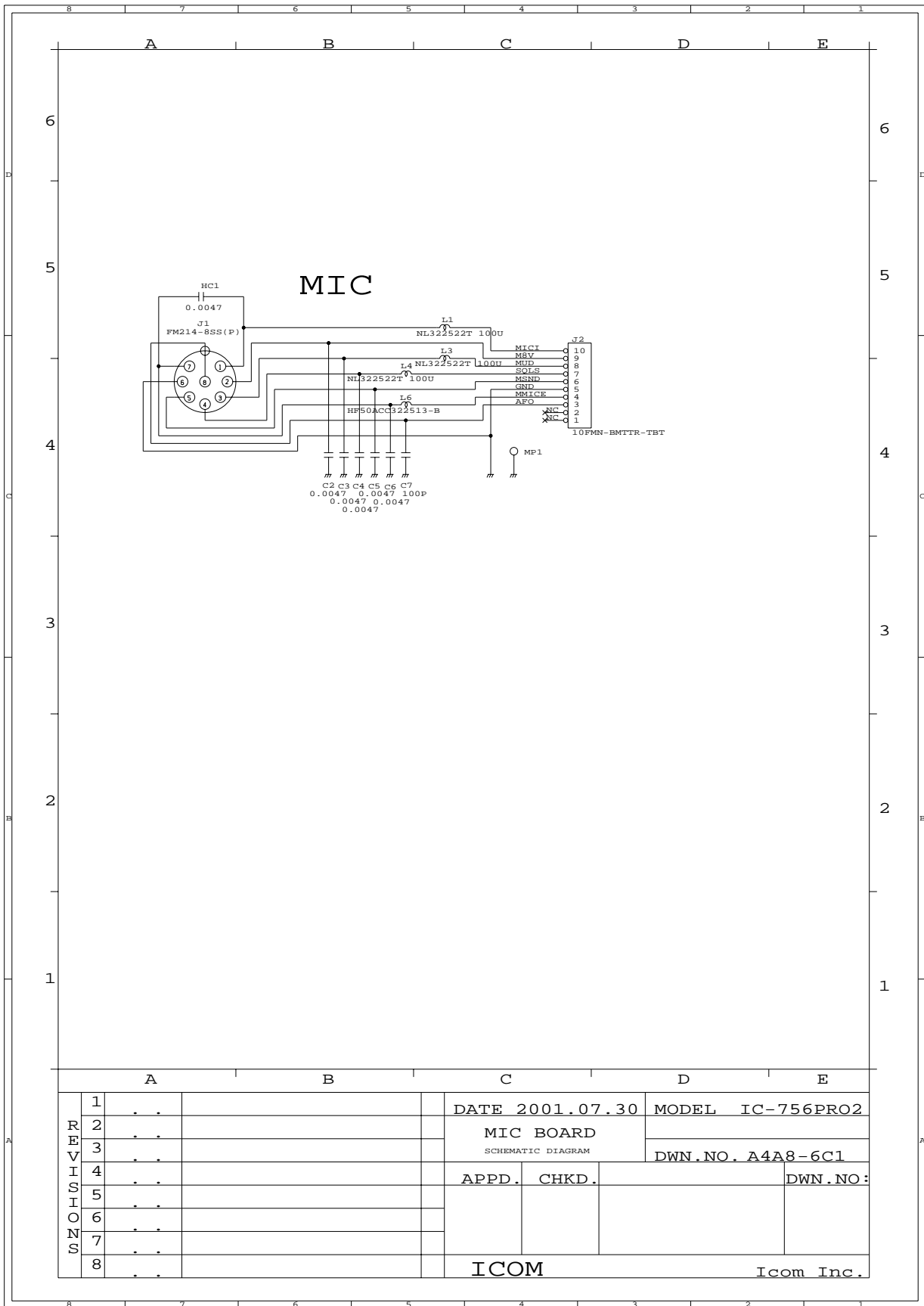
		A	B	C	D	E
REVISIONS	1	.	.		DATE 2001.07.30	MODEL IC-756PRO2
	2	.	.		RIT BOARD	
	3	.	.		SCHEMATIC DIAGRAM	DWN.NO. A4A5-6C1
	4	.	.		APPD.	CHKD.
	5	.	.			DWN.BY:
	6	.	.			
	7	.	.			
	8	.	.		ICOM	Icom Inc.



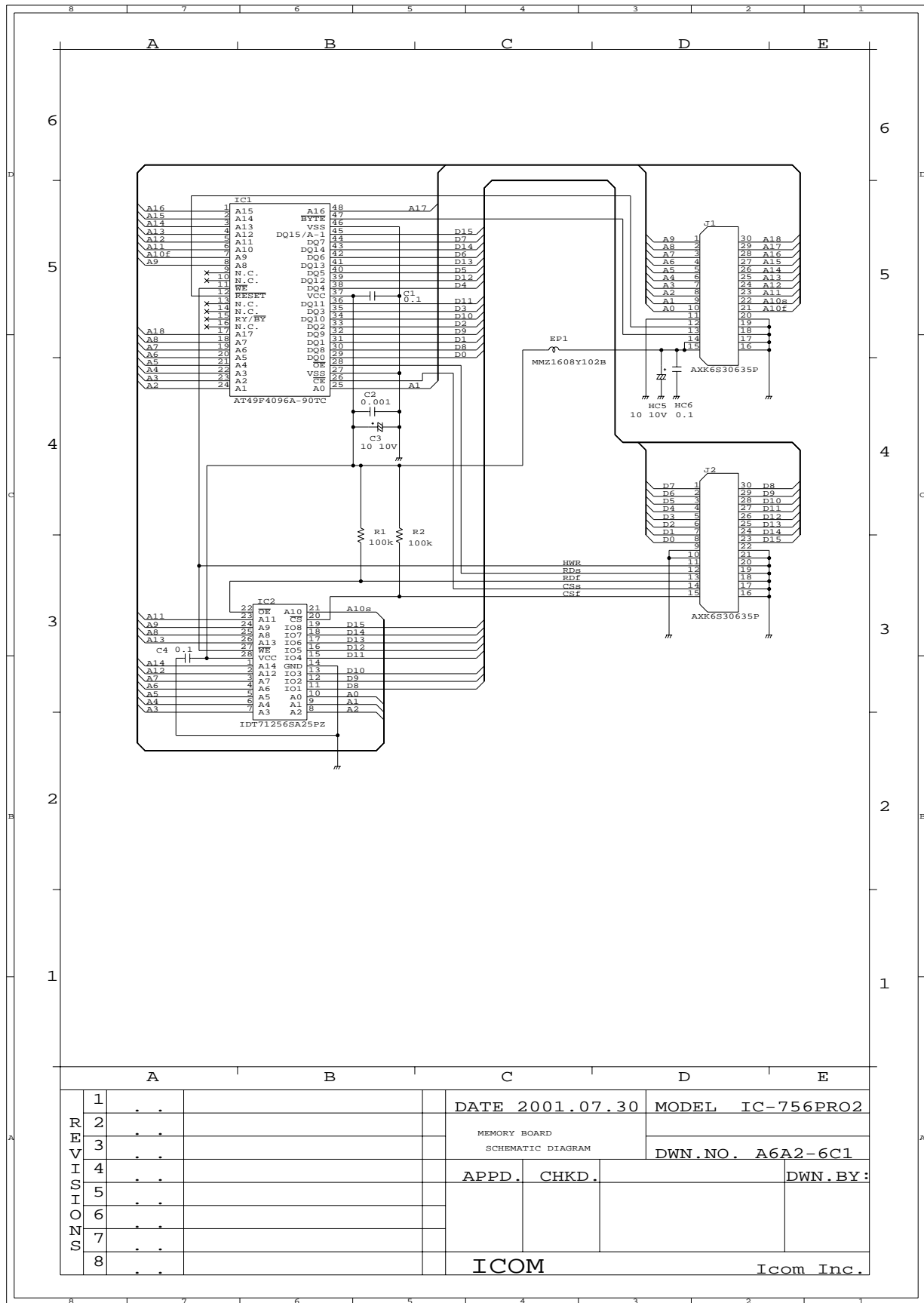
	A	B	C	D	E	
REVISIONS	1	.	.	DATE 2001.07.30	MODEL IC-756PRO2	
	2	.	.	PHONE BOARD		
	3	.	.	SCHMATIC DIAGRAM	DWN.NO. A4A6-6C1	
	4	.	.	APPD.	CHKD.	DWN.NO.:
	5	.	.			
	6	.	.			
	7	.	.			
	8	.	.	ICOM		Icom Inc.



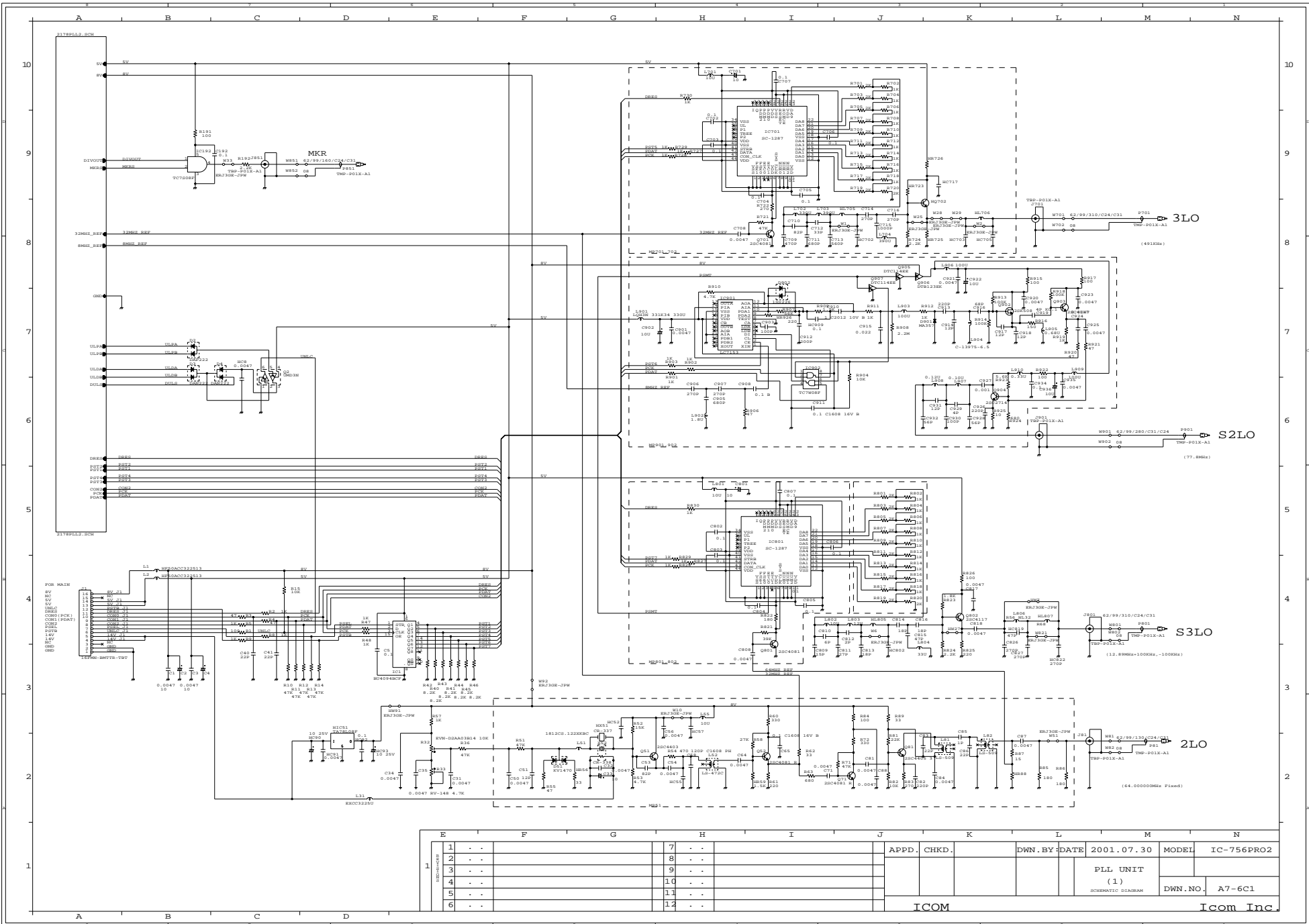
		A	B	C	D	E	
R E V I S I O N S	1	.	.		DATE 2001.07.30	MODEL IC-756PRO2	
	2	.	.		KEY BOARD SCHEMATIC DIAGRAM	DWN.NO. A4A7-6C1	
	3	.	.				
	4	.	.		APPD.	CHKD.	DWN.BY:
	5	.	.				
	6	.	.				
	7	.	.				
	8	.	.		ICOM Icom Inc.		



	A	B	C	D	E	
R E V I S I O N S	1	.	.	DATE 2001.07.30	MODEL IC-756PRO2	
	2	.	.	MIC BOARD SCHEMATIC DIAGRAM	DWN.NO. A4A8-6C1	
	3	.	.			
	4	.	.	APPD.	CHKD.	DWN.NO.:
	5	.	.			
	6	.	.			
	7	.	.			
	8	.	.	ICOM		Icom Inc.

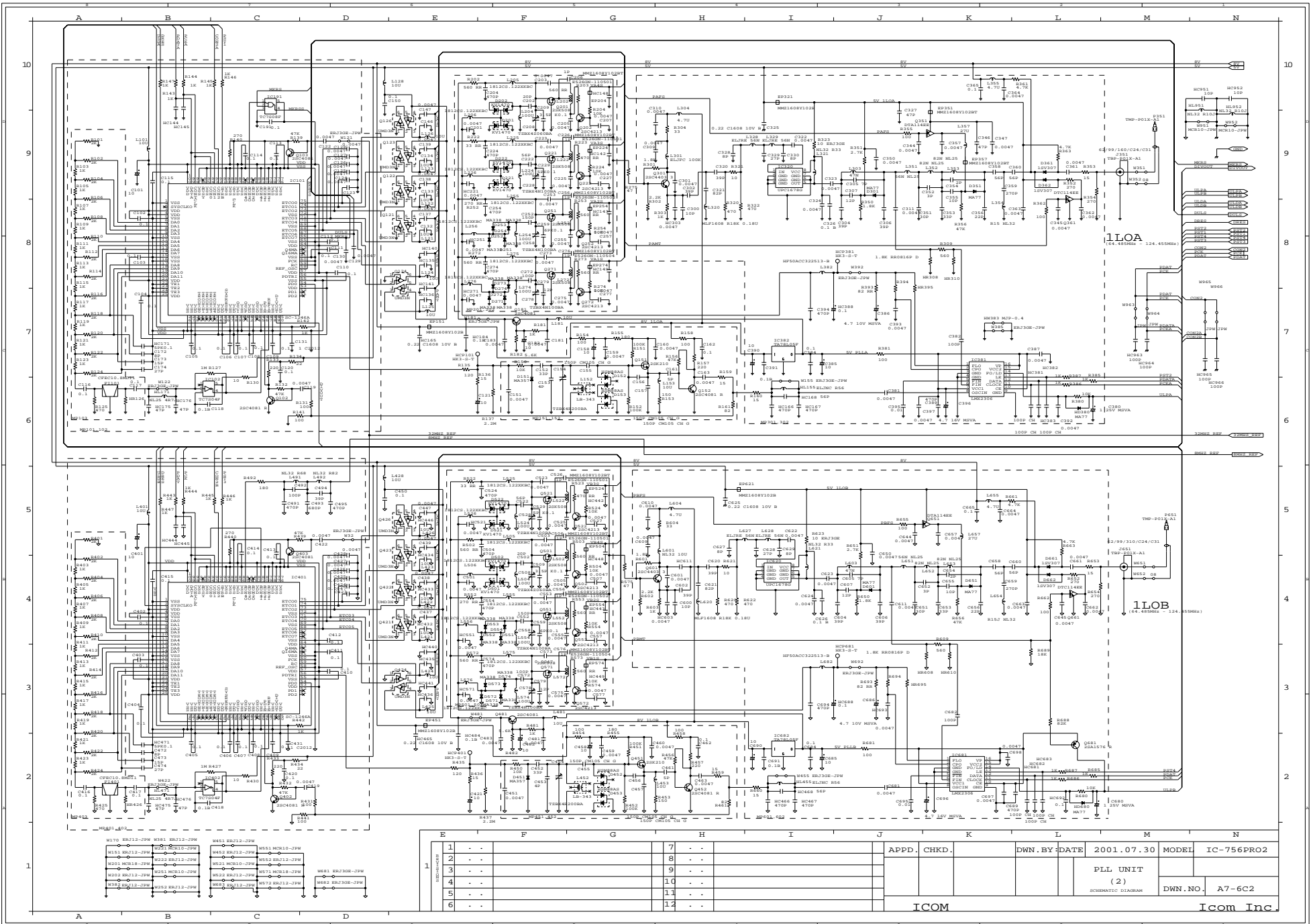


REVISIONS	1	.	.			DATE 2001.07.30	MODEL IC-756PRO2	
	2	.	.			MEMORY BOARD SCHEMATIC DIAGRAM	DWN.NO. A6A2-6C1	
	3	.	.					
	4	.	.			APPD.	CHKD.	DWN.BY:
	5	.	.					
	6	.	.					
	7	.	.					
	8	.	.			ICOM		Icom Inc.



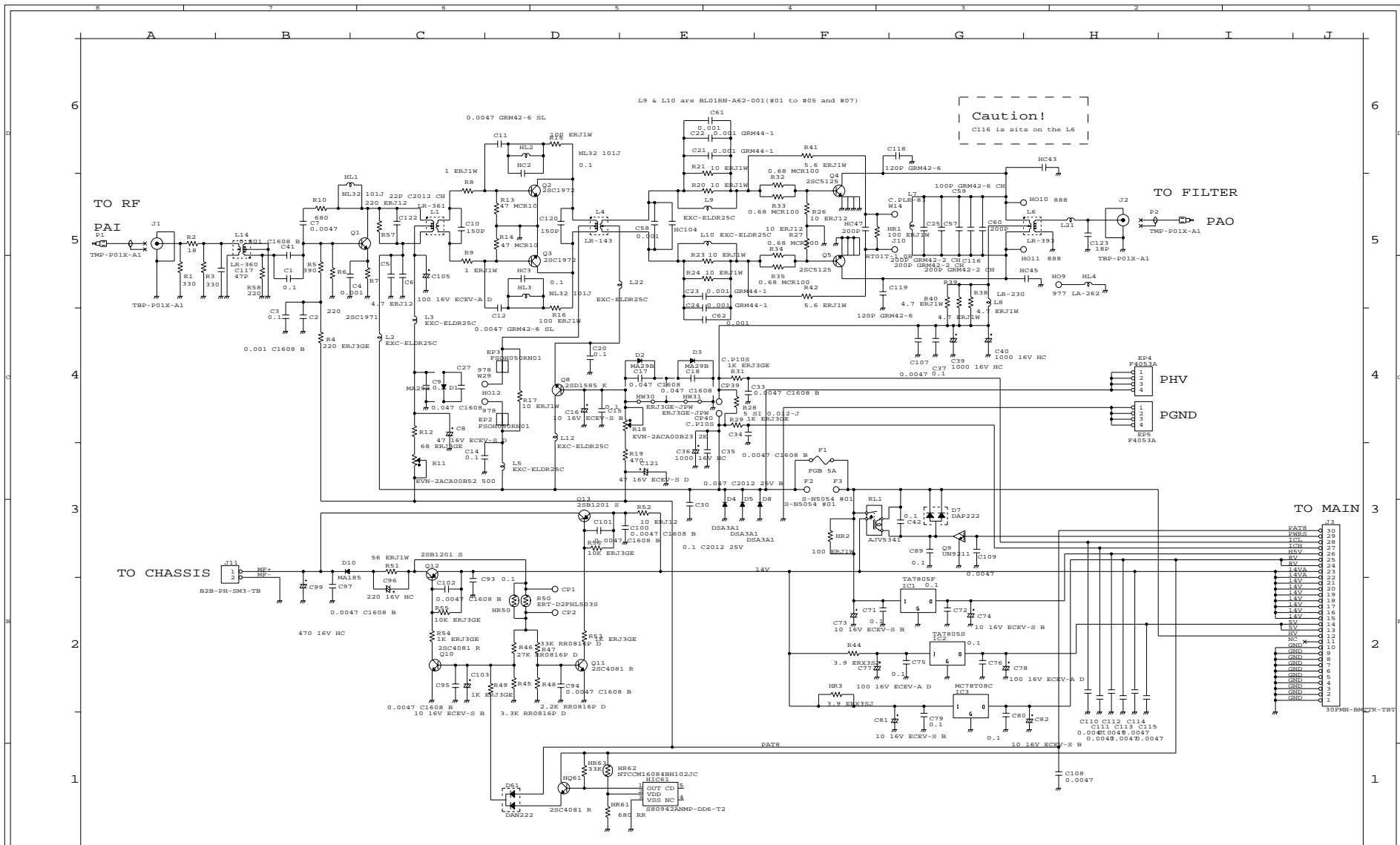
REV.	DESCRIPTION	DATE	BY	CHKD.	DWN. BY	DATE	MODEL	IC-756PRO2
1		7			APPD	2001.07.30	PLL UNIT	
2		8					(1)	
3		9					SCHEMATIC DIAGRAM	
4		10					DWN.NO.	A7-6C1
5		11						
6		12						

ICOM Icom Inc



	E	F	G	H	I	J	K	L	M	N			
1	-	-	-	-	-	-	APPD.	CHKD.	DWN. BY	DATE	2001.07.30	MODEL	IC-756PRO2
2	-	-	-	-	-	-	-	-	-	-	PLL UNIT	751	-
3	-	-	-	-	-	-	-	-	-	-	(2)	-	-
4	-	-	-	-	-	-	-	-	-	-	SCHEMATIC DIAGRAM	DWN. NO.	A7-6C2
5	-	-	-	-	-	-	-	-	-	-	-	-	-
6	-	-	-	-	-	-	-	-	-	-	-	-	-

ICOM
Icom Inc

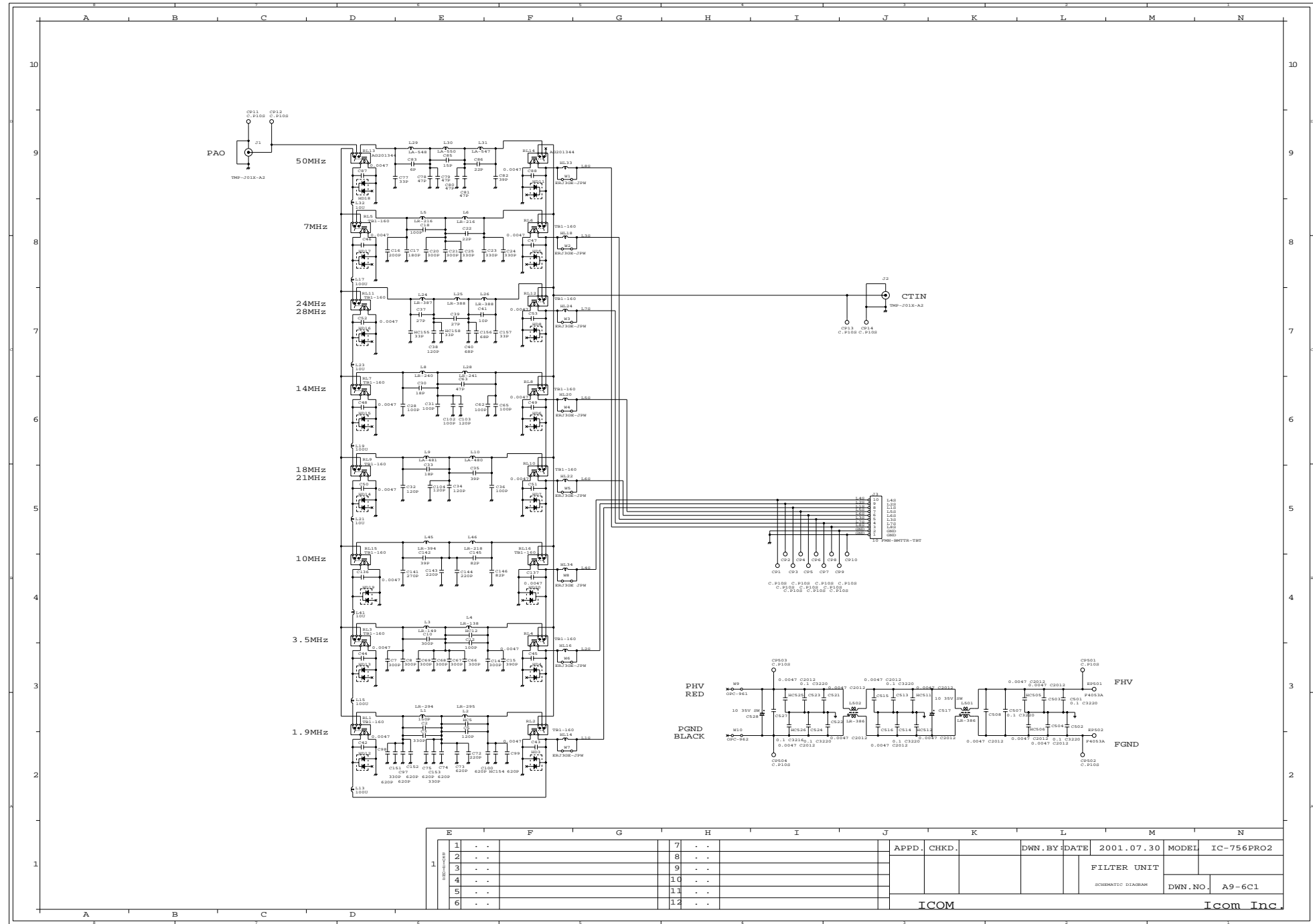


Caution!
C116 is sits on the L6

1	.	.	7	.	APPD.	CHKD.	DWN.BY	DATE	2001.07.30	MODEL	IC-756PRO2
2	.	.	8	.							
3	.	.	9	.							
4	.	.	10	.							
5	.	.	11	.							
6	.	.	12	.							

ICOM Icom Inc

PA UNIT
SCHEMATIC DIAGRAM
DWN.NO. A8-6C1



REVISION	DATE	BY	CHKD.	DATE	MODEL	IC-756PRO2
1	7	-				
2	8	-				
3	9	-				
4	10	-				
5	11	-				
6	12	-				

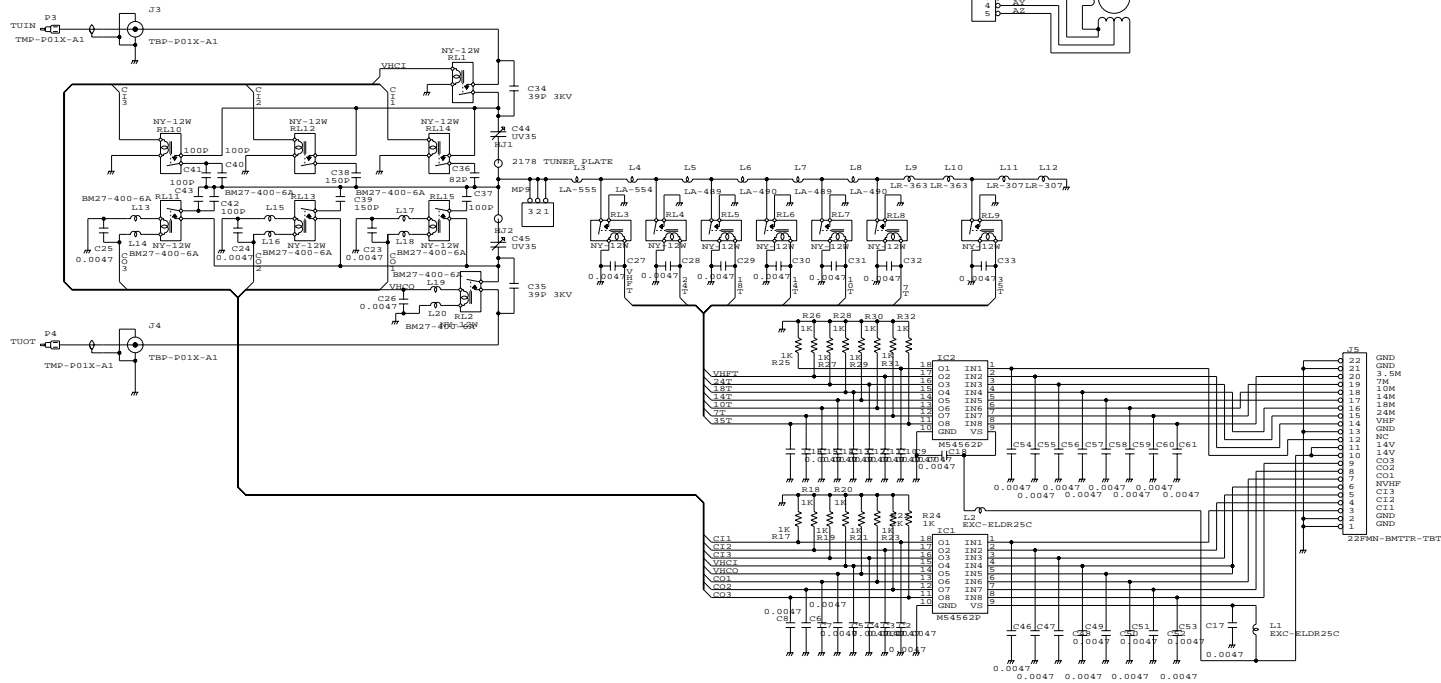
ICOM

Icom Inc.

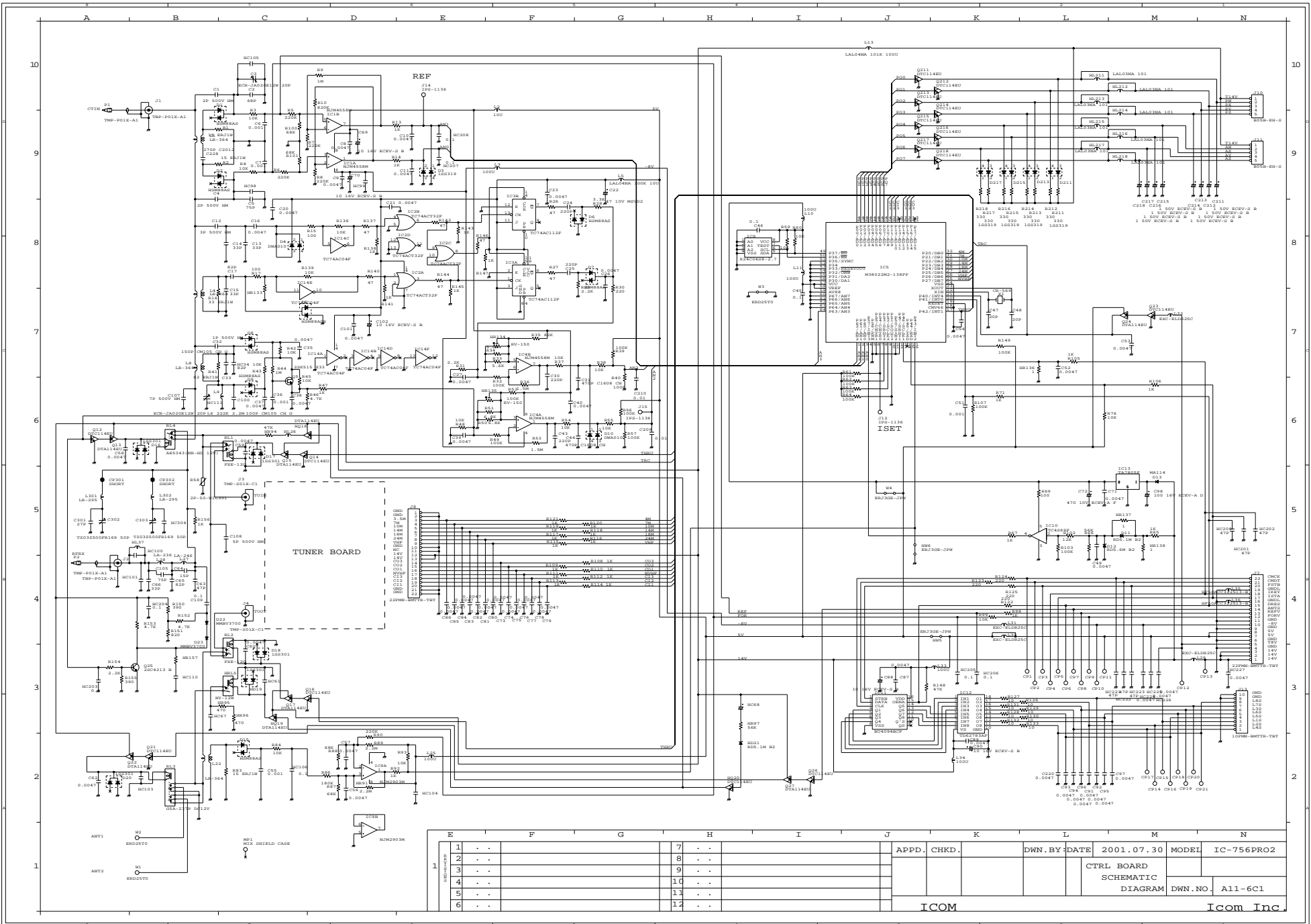
2001.07.30
DWN. NO. A9-6C1

SCHEMATIC DIAGRAM

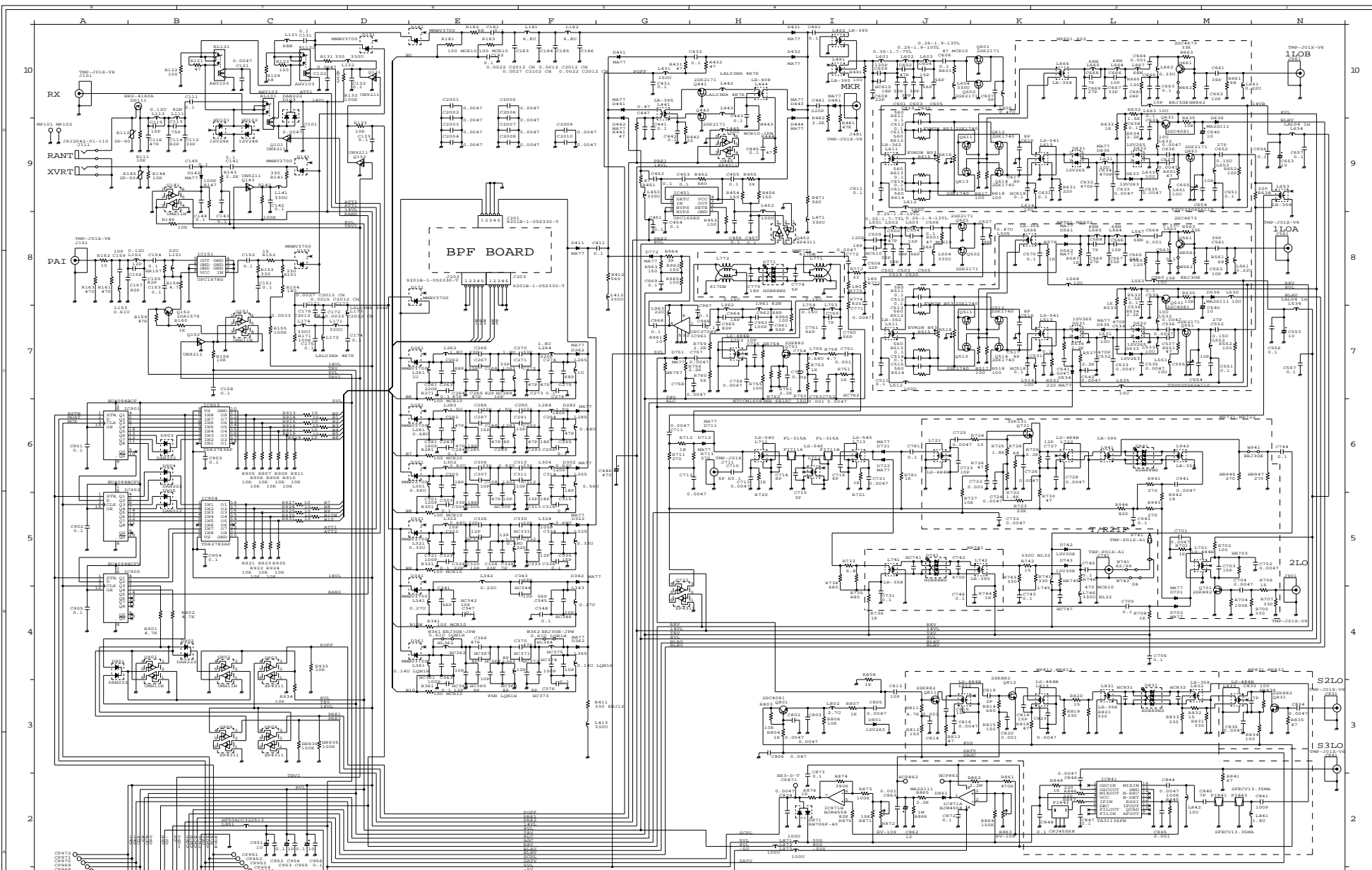
FILTER UNIT



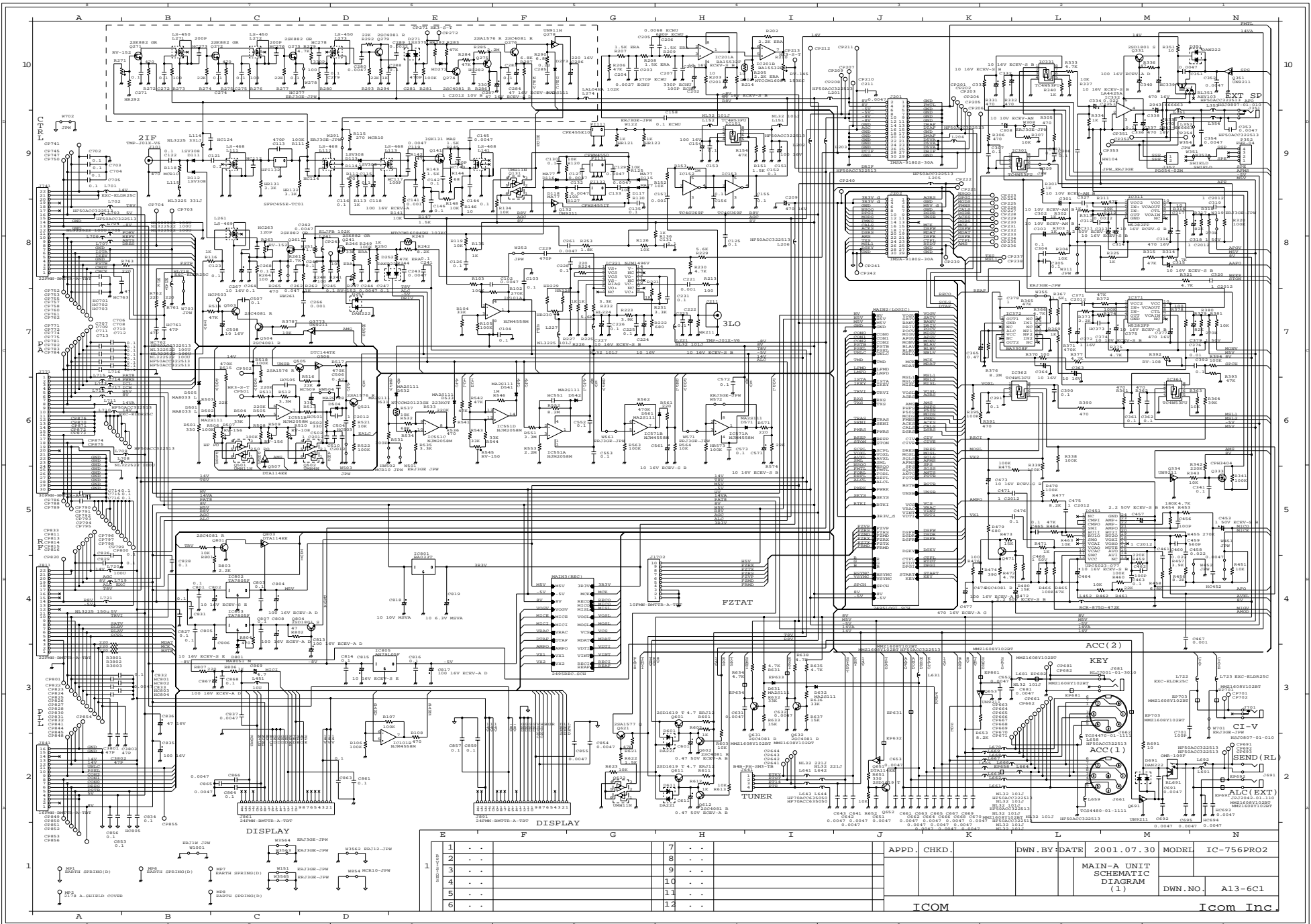
	A	B	C	D	E	F	G	H	I	J	
1	.	.	7	.	.	APPD.	CHKD.	DWN.BY:DATE	2001.07.30	MODEL	IC-756PRO2
2	.	.	8	.	.						
3	.	.	9	.	.						
4	.	.	10	.	.				TUNER UNIT		
5	.	.	11	.	.				SCHEMATIC		
6	.	.	12	.	.				DIAGRAM	DWN.NO.	A10-6C1
						ICOM					Icom Inc.



E		F		G		H		I		J		K		L		M		N					
1	-	-	-	-	-	-	7	-	-	APPD.	CHKD.	DWN.	BY	DATE	2001.07.30	MODEL	IC-756PRO2						
2	-	-	-	-	-	-	8	-	-	CTRL BOARD SCHEMATIC DIAGRAM													
3	-	-	-	-	-	-	9	-	-											DWN.NO.		A11-6C1	
4	-	-	-	-	-	-	10	-	-														
5	-	-	-	-	-	-	11	-	-														
6	-	-	-	-	-	-	12	-	-	ICOM				Icom Inc.									



E		F		G		H		I		J		K		L		M		N	
1	-	-	-	-	-	-	-	-	-	-	APPD	CHKD.	-	-	DWN. BY	DATE	2001.07.30	MODEL	IC-756PRO2
2	-	-	-	-	-	-	-	-	-	-	-	-	-	-	-	-	-	RF-A UNIT	DWN. NO.
3	-	-	-	-	-	-	-	-	-	-	-	-	-	-	-	-	-	SCHEMATIC	A12-6C1
4	-	-	-	-	-	-	-	-	-	-	-	-	-	-	-	-	-	DIAGRAM	
5	-	-	-	-	-	-	-	-	-	-	-	-	-	-	-	-	-		
6	-	-	-	-	-	-	-	-	-	-	-	-	-	-	-	-	-		
										ICOM					Icom Inc				



1	2	3	4	5	6	7	8	9	10	11	12
1	-	-	-	-	-	-	-	-	-	-	-
2	-	-	-	-	-	-	-	-	-	-	-
3	-	-	-	-	-	-	-	-	-	-	-
4	-	-	-	-	-	-	-	-	-	-	-
5	-	-	-	-	-	-	-	-	-	-	-
6	-	-	-	-	-	-	-	-	-	-	-

APPD. CHKD.

DWN. BY DATE

2001.07.30

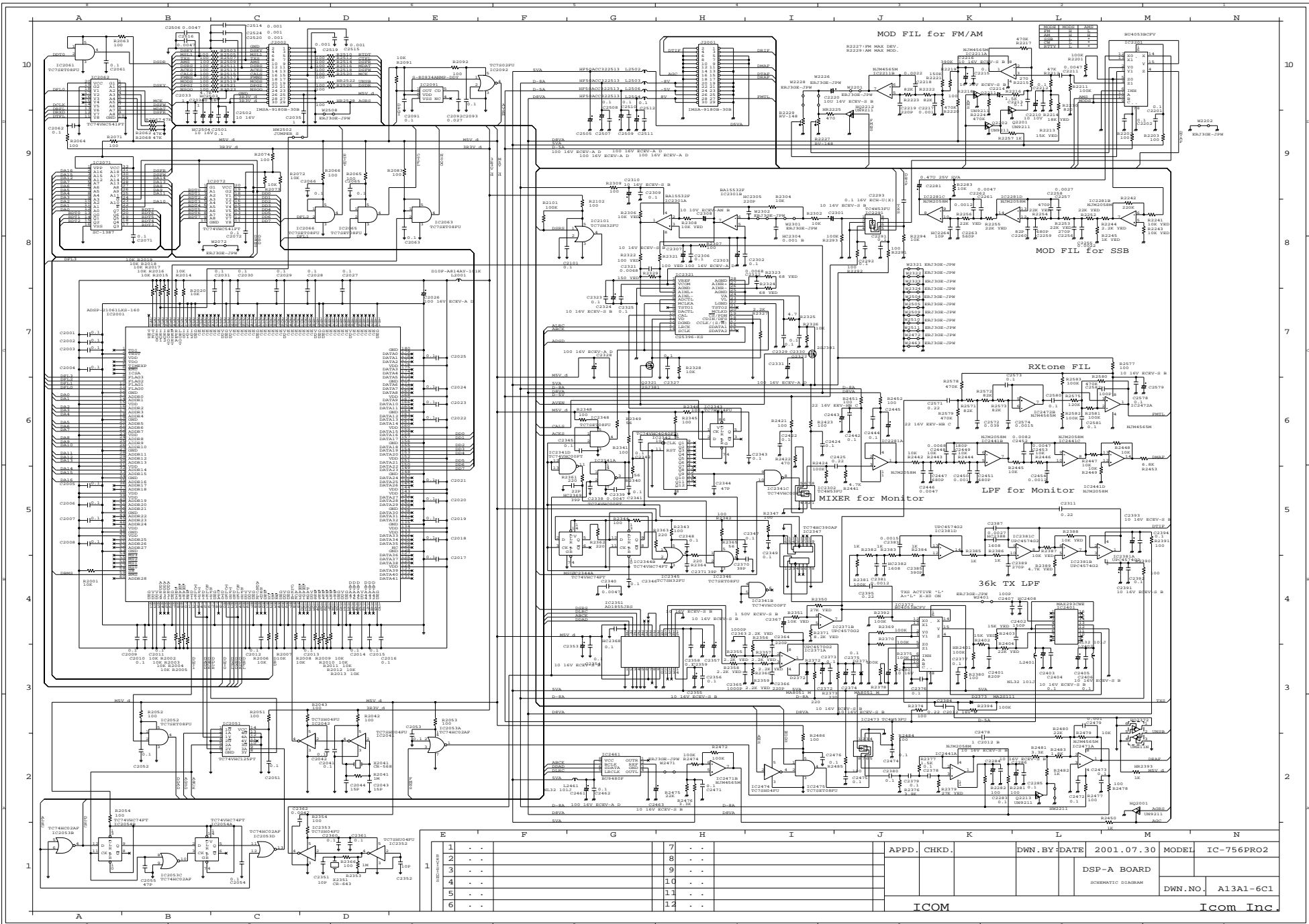
MODEL IC-756PRO2

MAIN-A UNIT
SCHEMATIC
DIAGRAM
(1)

DWN. NO. A13-6C1

ICOM

Icom Inc



1	2	3	4	5	6	7	8	9	10	11	12	APPD.	CHKD.	DWN. BY	DATE	2001.07.30	MODEL	IC-756PRO2
															DSP-A BOARD		DWN. NO.	A13A1-6C1
															SCHEMATIC DIAGRAM		Icom Inc	